



January 10

2016

SPOTER offers you a wide range of quality Car Care and enabled IT products which will serve almost every purpose as required. Our products maintain international standards.

**Training Manual
V1.2**

Distributor – Pricing:

DESCRIPTION	DISTRIBUTOR PRICING PER PCS	MRP
SPOTER SILVER GPS	Rs.5000/-	Rs.7000/-
SPOTER BRONZE GPS	Rs.6000/-	Rs.8000/-
SPOTER GOLD GPS	Rs.7000/-	Rs.9500/-
SPOTER STREAMING GPS	Rs.10000/-	Rs.15000/-
SPOTER EMPLOYEE TRACKING	Rs.1200/-	Rs.2000/-
Spoter Tyre Guard 1Liter	Rs.600/-	Rs.1250/-
Spoter Tyre Guard 350ML	Rs.230/-	Rs. 400/-
Spoter Tyre Guard 600ML	Rs.380/-	Rs.750/-

*GPS Price Includes 12 Months SIM-Data, Storage And SERVER Charges.

* Validate Taxes like CST/VAT/Service-Tax will be added extra.

1. VEHICLE TRACKING SYSTEM



Spoter Silver

MRP. RS. 7000/-*



Spoter Bronze

MRP. RS. 8000/-*



Spoter Gold

MRP. RS. 9500/-*

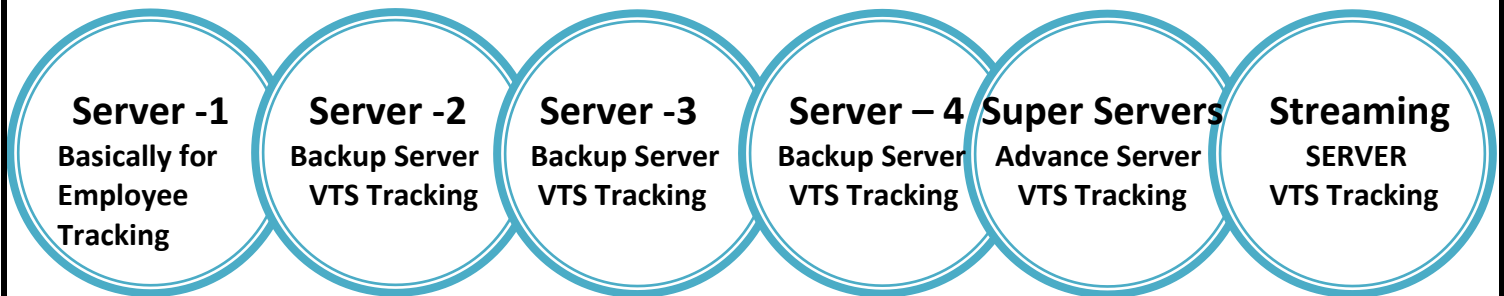
*Price Includes 12 Months SIM-Data, Storage and SERVER Charges

* Validate Taxes like CST/VAT/Service-Tax will be added extra.

SL NO.	KEY FEATURES	SILVER	BRONZE	GOLD
1	Track your vehicle in real time.	Yes	Yes	Yes
2	Get reports of each vehicle's daily activities.	Yes	Yes	Yes
3	Real-time monitoring and on board data storage.	Yes	Yes	Yes
4	Online tracking with motion directions.	Yes	Yes	Yes
5	Geo-fencing/location /power off/ Over speed alert.	Yes	Yes	Yes
6	Send sms to get current location of vehicle on mobile.	Yes	Yes	Yes
7	Shortest path finder.	yes	Yes	Yes
8	Multi-Geo fence	Yes	Yes	Yes
9	1yr. Server, Storage, data Charge Paid	Yes	Yes	Yes
10	Detailed trip report.	Yes	Yes	Yes
11	ACC ignition detection, vehicle status notification	Yes	Yes	Yes
12	External SOS button, used in immergence case use	No	Yes	Yes
13	Build-in back up battery, support illegal main power cut-off alarms	Yes	Yes	Yes
14	External Relay, used to cut off engine power or oil remotely	Yes	Yes	Yes
15	External Microphone, used in voice monitoring case	No	Yes	Yes
16	Door open /shock alert	No	No	Yes
17	Idling vehicle report. Hijack recovery system through engine shutdown.	yes	Yes	Yes
18	Turn off vehicle remotely during theft. Speeding notifications.	Yes	Yes	Yes
19	Commands from your cell phone. Mileage statistics Door Locking	No	No	Yes
20	USB configuration (option)	Yes	Yes	Yes
21	SOS emergency alarm.	No	Yes	Yes

22	Optional Fuel Sensor compatible	No	No	Yes
23	Internal Antenna	Yes	Yes	No
24	Inbuilt Geo Storage by SD card	No	No	Yes
25	External GPS Antenna and GSM Antenna	No	No	Yes
26	RFID Remote Controller	No	No	Yes
27	Streaming technology Support	No	No	No
28	1 Yr. warrantee	Yes	Yes	Yes
29	Works on 9V to 24V	Yes	Yes	Yes
30	Reset Configuration	Yes	Yes	Yes
31.	Yearly Renewal After First year	3000/-	3600/-	3600/-
32.	Extended Warrantee for One Year	2000/-	2000/-	2000/-

Spoter Servers Networks



SERVER UPGRADE NOTIFICATION:

We are in final process of launching of Advanced Super Server exclusive of SPOTER Tracking Service. With the new upgraded server, it will become more easy to manage and maintain your Clients, better view and controls, and loads of advanced features. Details of the same will be provided soon as we are done with our final testing's...

SERVER	WEB ADDRESS	IP [TCP/IP PROTOCOL]
SERVER-1	http://server1.subhams.com/	23.226.141.151
SERVER-2	http://www.19gps.net/	118.193.48.237
SERVER-3	http://orange.gps-trace.com/	193.193.165.193
SERVER-4	http://www.20gps.net/	58.61.154.246
SERVER -5	http://spoterindia.com/	121.201.110.62

Configuration manual:



Spoter Silver



Spoter Bronze



Spoter Gold

Device status indicators

- Connect DC 9-24V power supply and the red LED will light continuously.
- The green LED glitters when searching the GPS signals. When GPS works, the LED lights continuously.
- The intermediate blue LED (GSM signal state) GSM signal is normal, blue LED light long bright.
- For No GSM signal, the blue LED flashes.

All LEDs will turn off after 5 minutes. When there is a new call, the LEDs will relight and turn off 5 minutes later.

Installation

- Preparation for the installation
- Choose SIM card. Please insert a SIM card to the device. Please take dealer's advice as reference.
- SIM card installation: Discharge the cover of the device and uncover the SIM card holder. Then insert the SIM card and cover SIM card holder (as follows).
- Put back the front cover and screw it up.
- Connect the device to the 9-24V power supply. (red LED will glow constantly)

Install the device in the hidden place of the car, The SIM card must be with GPRS function and enough deposit

Installation AREA:

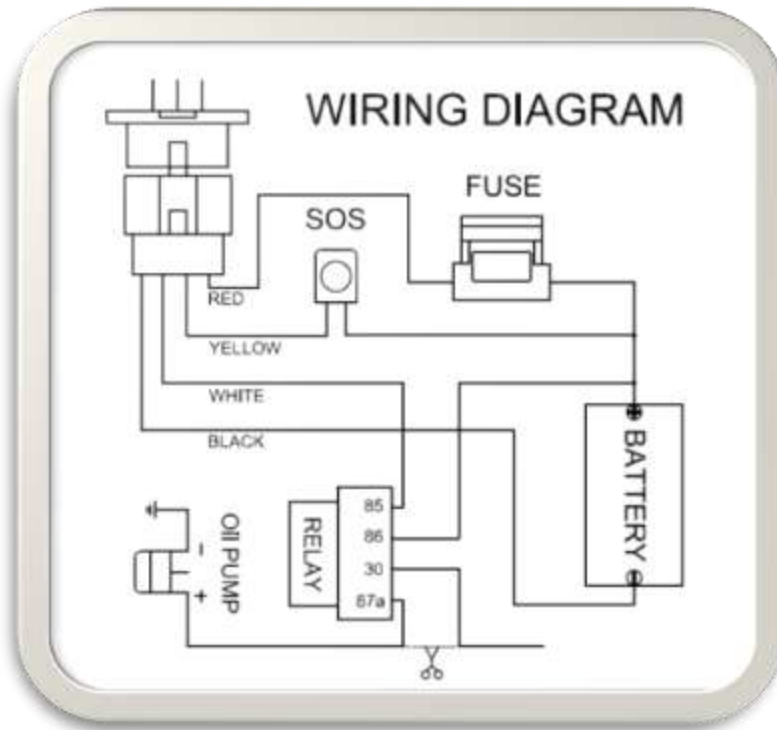
The GPS tracker must be installed under professional personnel. Please install the device in the hidden place as followings - Under Front windshield / In the front instrument panel / Under back windshield, Avoid being placed with signal radiators like reverse sensor, The device has GSM antenna and GPS antenna inside. Please ensure the receiving side of the device is face up and without metal cover.

Note: The metal cover will lessen the receiving of GPS signals.

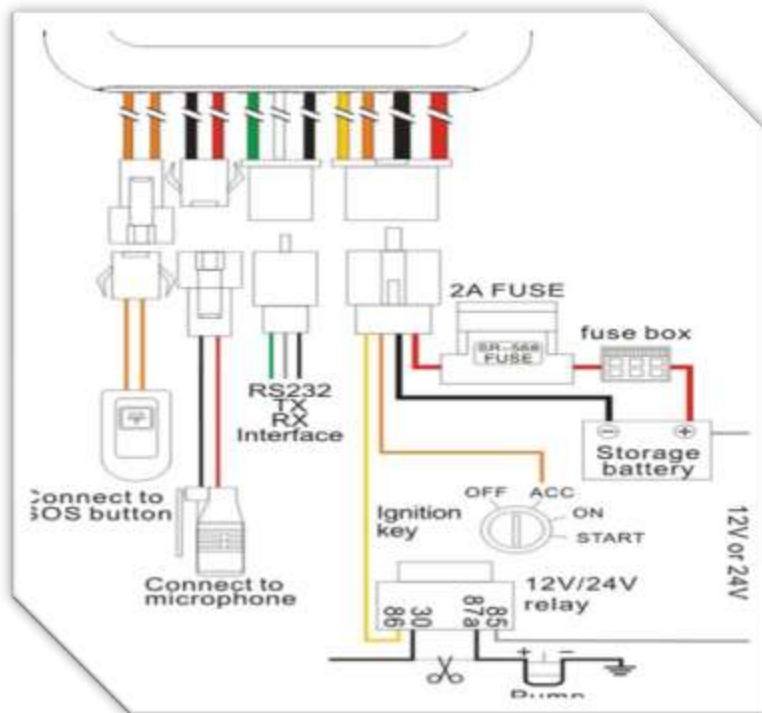
Device wiring requirements

- The device power supply is DC 9-24V. The red line is positive pole while the black line is negative pole.
- The negative pole of power supply connects with ground or the metals. Please do not connect with other ground lines.
- When finishing the power supply wire connection, please make the plug of power supply to the device.
- The Blue wire is ACC Sensor port, add it to acc positive on car-key place.
- If you want to use GPS tracker For Fuel Cut by SMS then You use to Relay (which is optional). Else only 2 wire need to connect Black and Red to Car Battery.

WIRING DIAGRAM FOR SPOTER BRONZE GPS DEVICE :

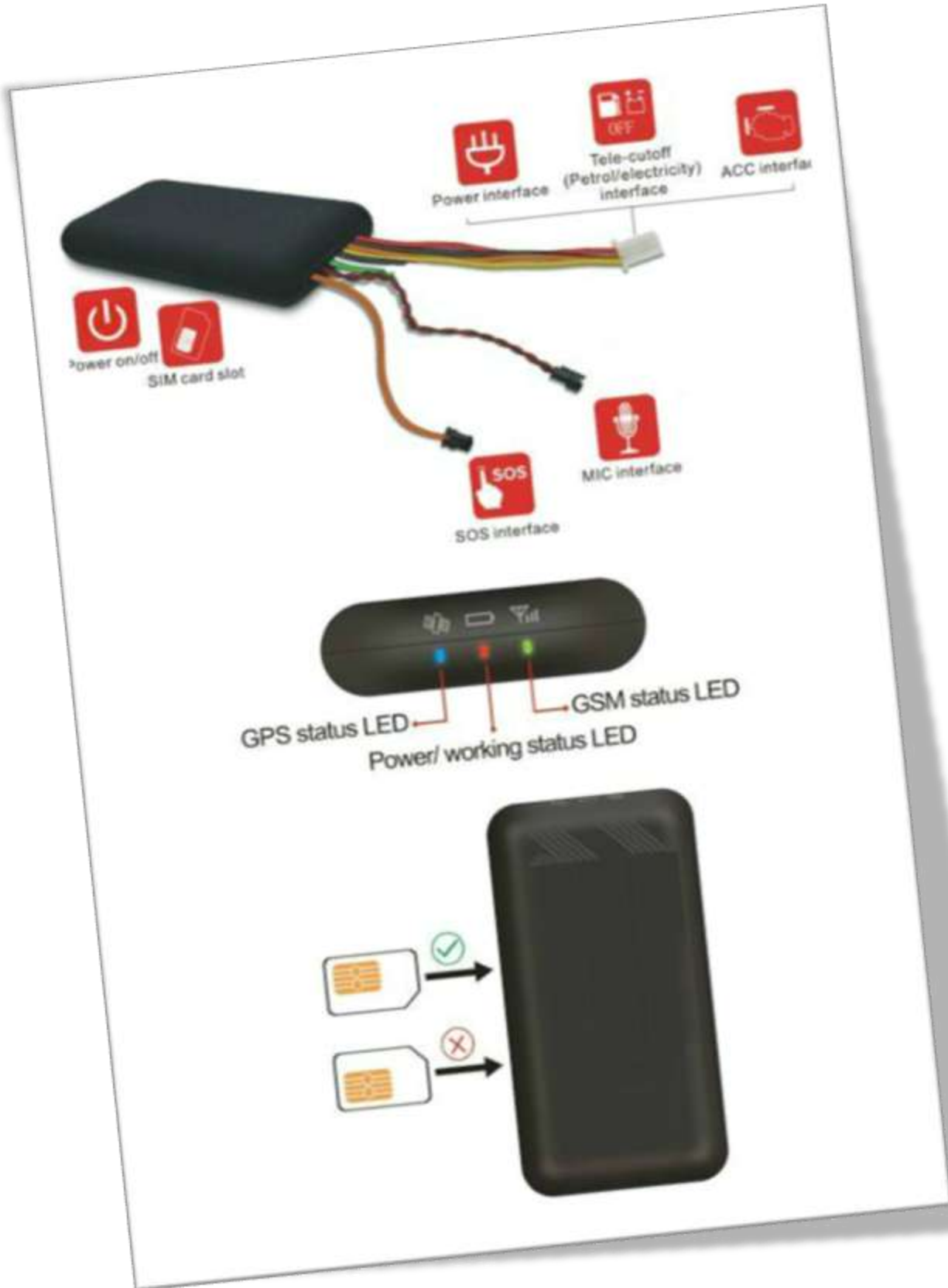


WIRING DIAGRAM FOR SPOTER BRONZE GPS DEVICE :



Once the GSM signal is lost or connect the platform fail, the device will auto store the data to memory, and will auto upload the data once the GSM signal restore.

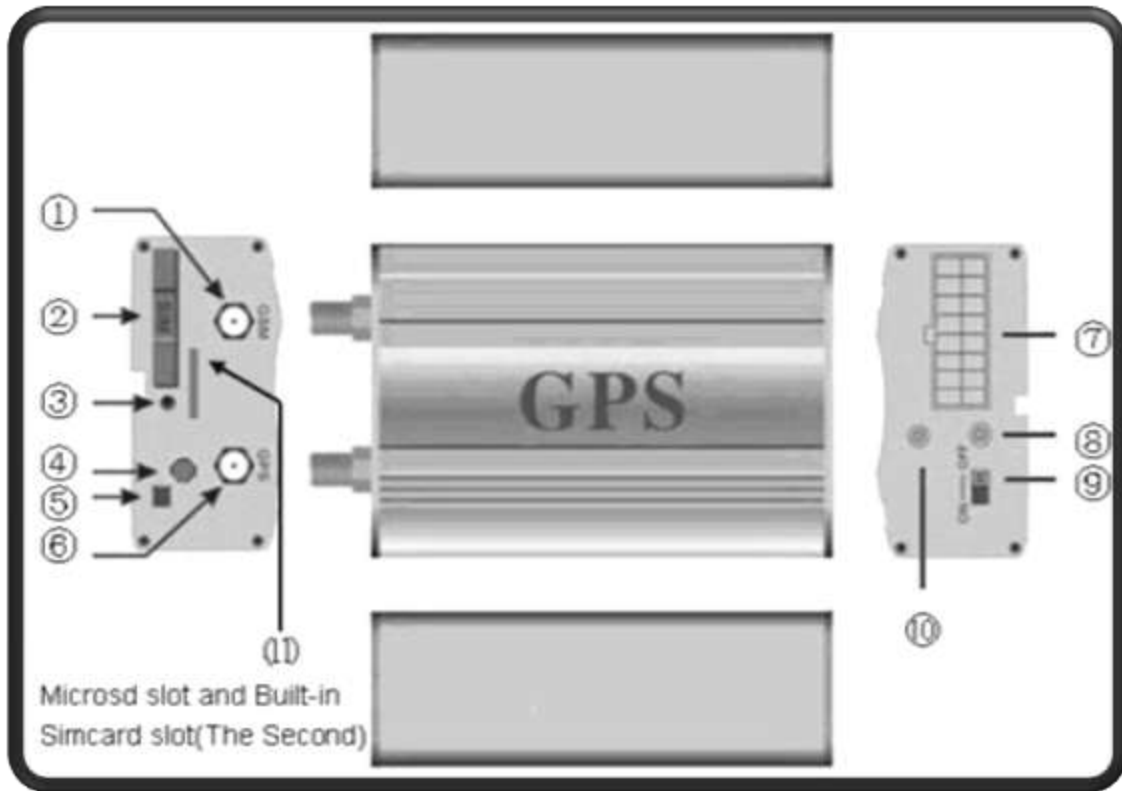
Understand Spoter bronze Gps Tracker :

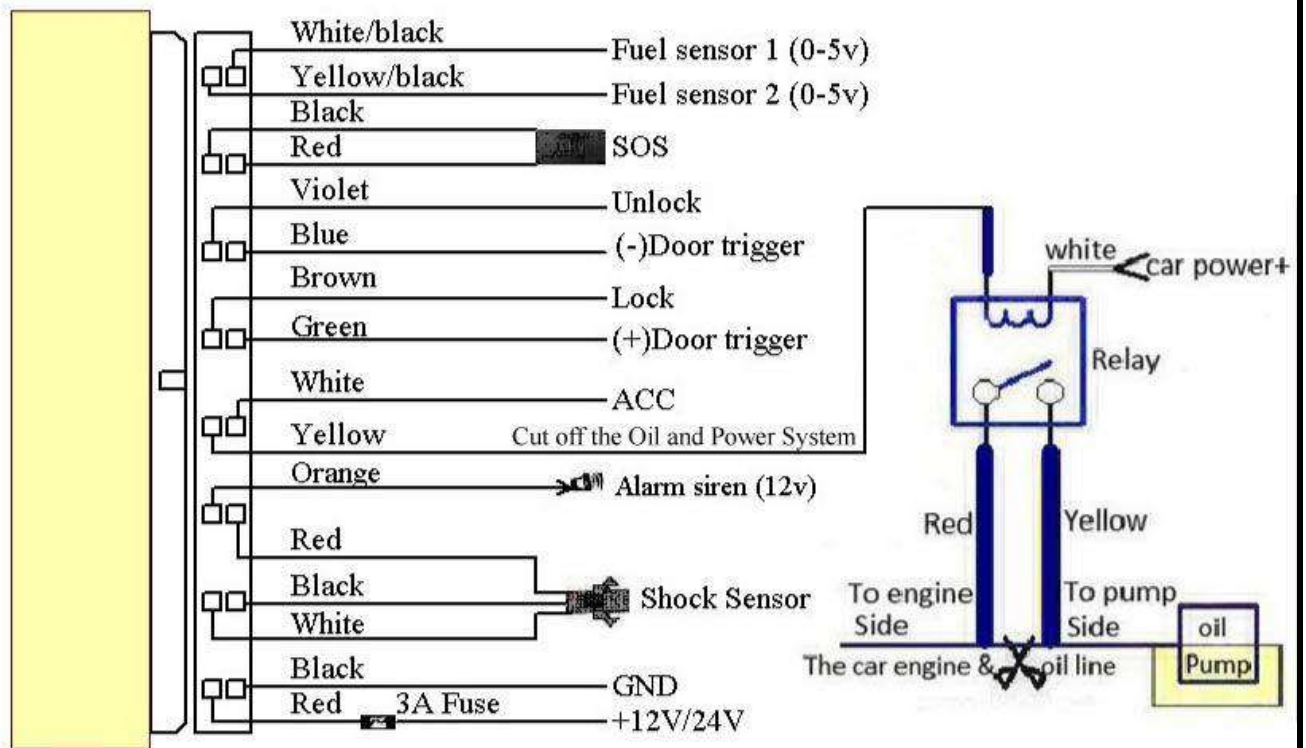


Wire Color Coding for Spoter Bronze :

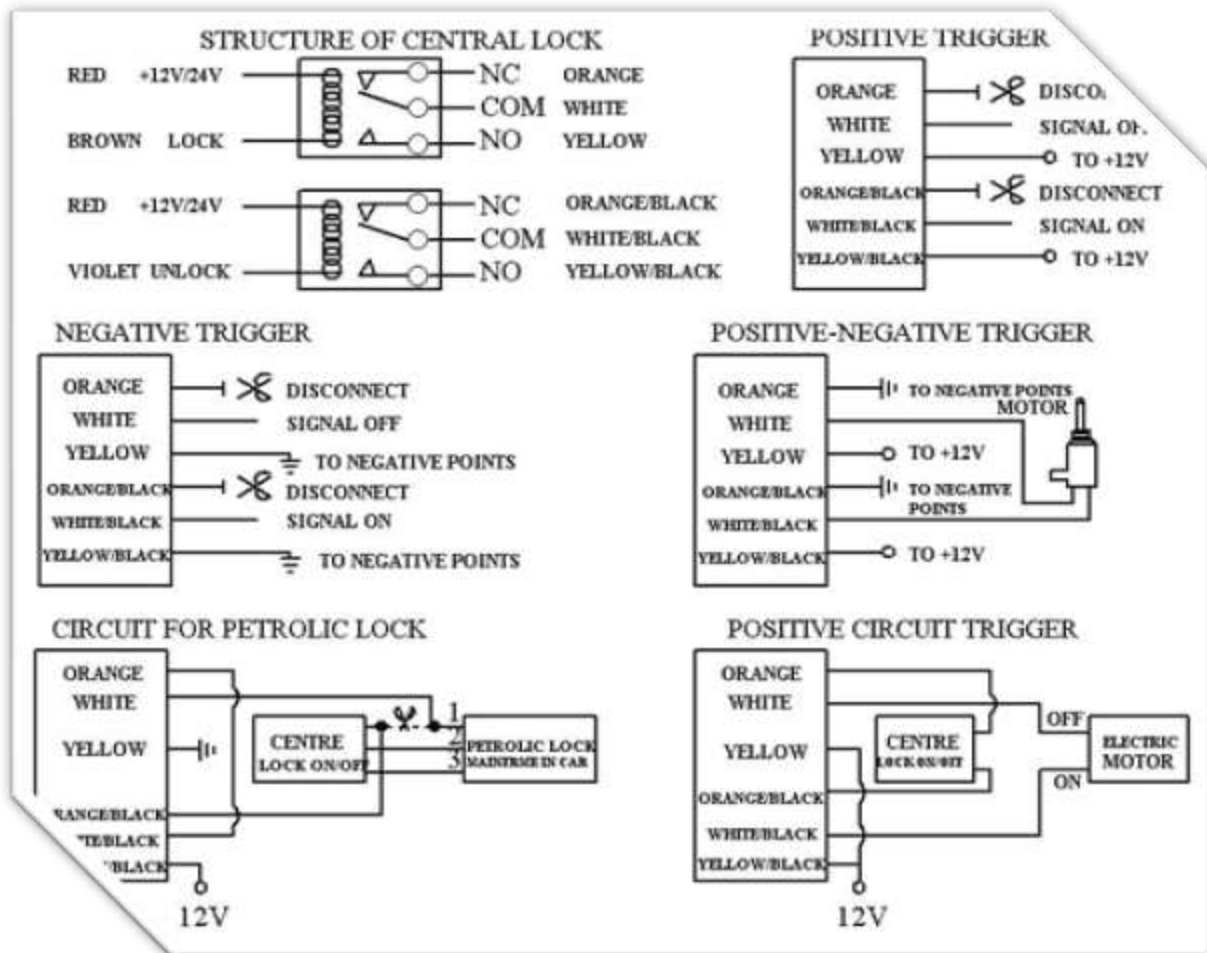
Line No.	Specification	Color	Instruction
1. 2	Keypad SOS button	Orange/ orange	Connect to SOS button
3. 4	MIC-,MIC+	Black/ red	Connect to Microphone
5	TX	Green	Sending data (TX)/backup
6	RX	White	Receiving data (RX)/backup
7	GND	Black	Ground wire
8	MOTOR control	Yellow	Connect to relay control line
9	ACC ignition	Orange	Connect to ACC ignition
10	V- negative	Black(thick)	Vehicle 12V/24V negative storage battery
11	V+ positive	Red(thick)	Vehicle 12V/24V positive storage battery

Understand Spoter GOLD Gps Tracker:

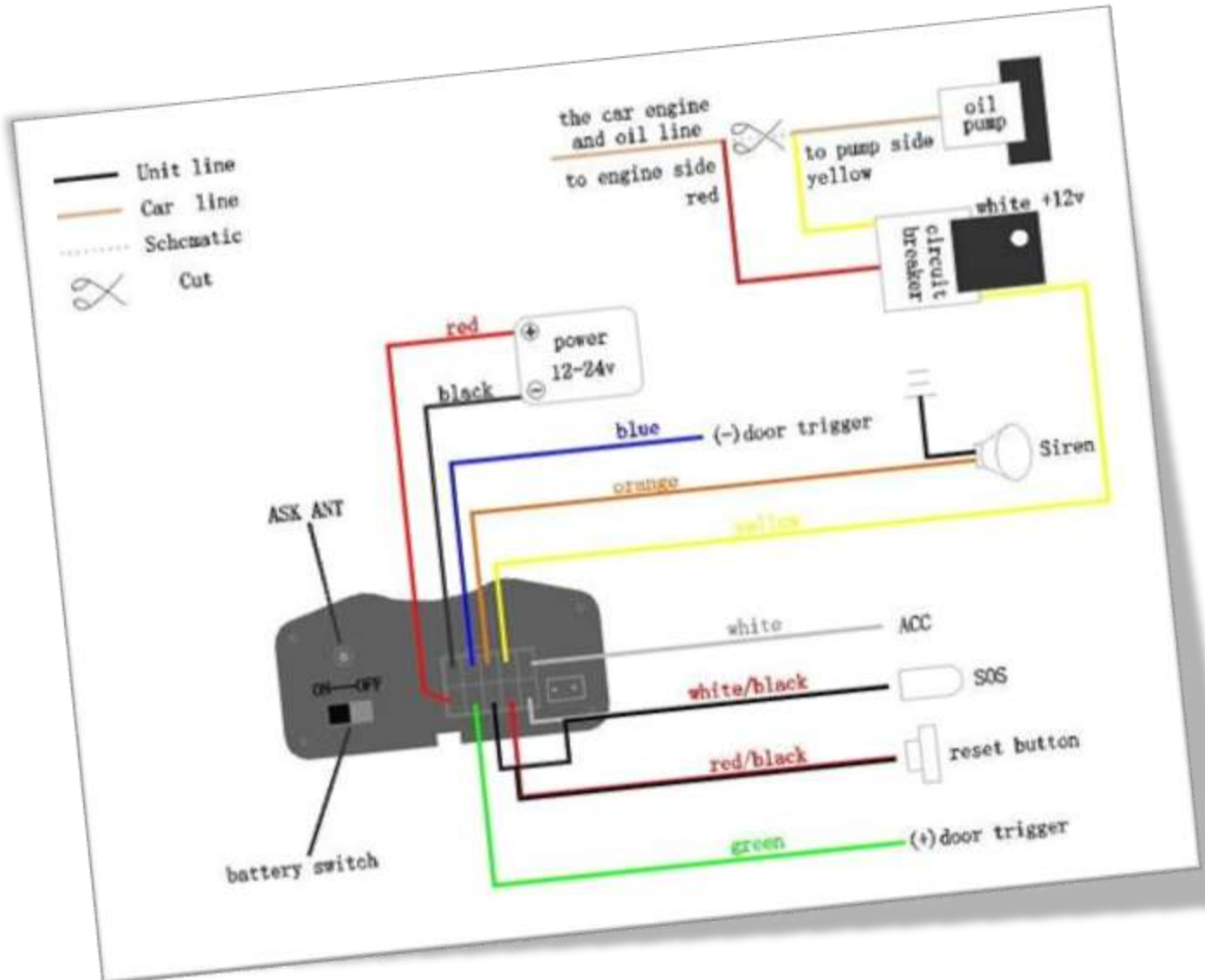




External Connections Understanding :



WIRING DIAGRAM FOR SPOTER GOLD GPS DEVICE :



Function of Remote Controller for Spoter Gold GPS:

Button	Function	Description
	Arm / lock	Press for 0.5 second, the siren will beep one time.
	Disarm / unlock	Press for 0.5 second, the siren will beep two times.
	arm & Silent mode	Press for 0.5 second when it is in disarm state, the siren will beep 3 times. No voice from siren when alarm triggered and quit from siren mode automatically when disarm.
	SOS	Press for 1 seconds, Tracker will send SOS alert to authorized phone numbers without voice.
	Deterrence/car search	Press for 0.5 second when it is in arm state, siren will beep 10 seconds, press disarm button to quit.

Notes of the relay wiring:

The relay wiring of pump: oil connectors of both ends are a fine white line (85) and a fine yellow line (86). The fine white line (85) is connected to vehicle Positive power (+12V). The fine yellow line is connected to the device relay control line. Cut off the positive connection line of the pump; then connect in series to the relay N.C. contact (thick green line 87a) and the other end to relay COM contact ((thick green line 30).

Note: The orange wire can be connected to the car original horn (Siren is Option)

- Knowing about the type of the door trigger is positive or negative trigger. Please connect the green wire to the door control circuit if it is positive, and connect blue wire if it is negative.
- When wiring central lock system to control the door lock, the default settings of the device is for electric lock, if the vehicle is air compressor lock, please refer to the switch command described later.
- Please install the SOS button on the place driver can touch.
- Connect the GPS and GSM antenna to the right connector, and find an appropriate place to fix the antennas for good reception.

Cautions of device wiring

- The standard voltage is 9V-36VDC. Please use the power line which provided by the manufacturer. The red line is the positive. The black line is the negative. The negative should earth alone or link iron during installing. Do not connect it to other ground wire.
- ACC line (orange) is connected to the ACC switch of the vehicle. Please make sure to connect the ACC line. The tracker will decide whether to enter ignition detection according to ACC status. If do not connect to ACC line, the device will enter ignition detection status. If the vehicle vibrates when moving,
- it will activate the vibration alarm. If there is no need for the theft proof function, connect the ACC line to the positive in parallel and keep high level.
- Tele-cutoff (petrol/ electricity) control line (yellow) is connected to pin 86 of the Tele-cutoff (petrol/ electricity) relay (equal to the yellow line of the relay socket).
- Please comply with the instructions to extend the unit life: 1.
- Keep the unit dry. Any liquid, i.e. rain, moisture, may destroy or damage the inside circuitry.
- Don't use & store the unit in dusty places.
- Don't put the unit in overheated or overcooled places.
- Handle carefully. Don't vibrate or shake it violently.
- Clear the unit with a piece of dry cloth. Don't clean in chemicals, detergent.
- Don't paint the unit, this may cause some foreign materials left in between the parts.
- Don't disassemble or refit the unit. 8
- Please read the user manual carefully before installation and operation, learn something more about the voltage range. Otherwise, it won't work properly or destroy the product.

SMS command for device installation:

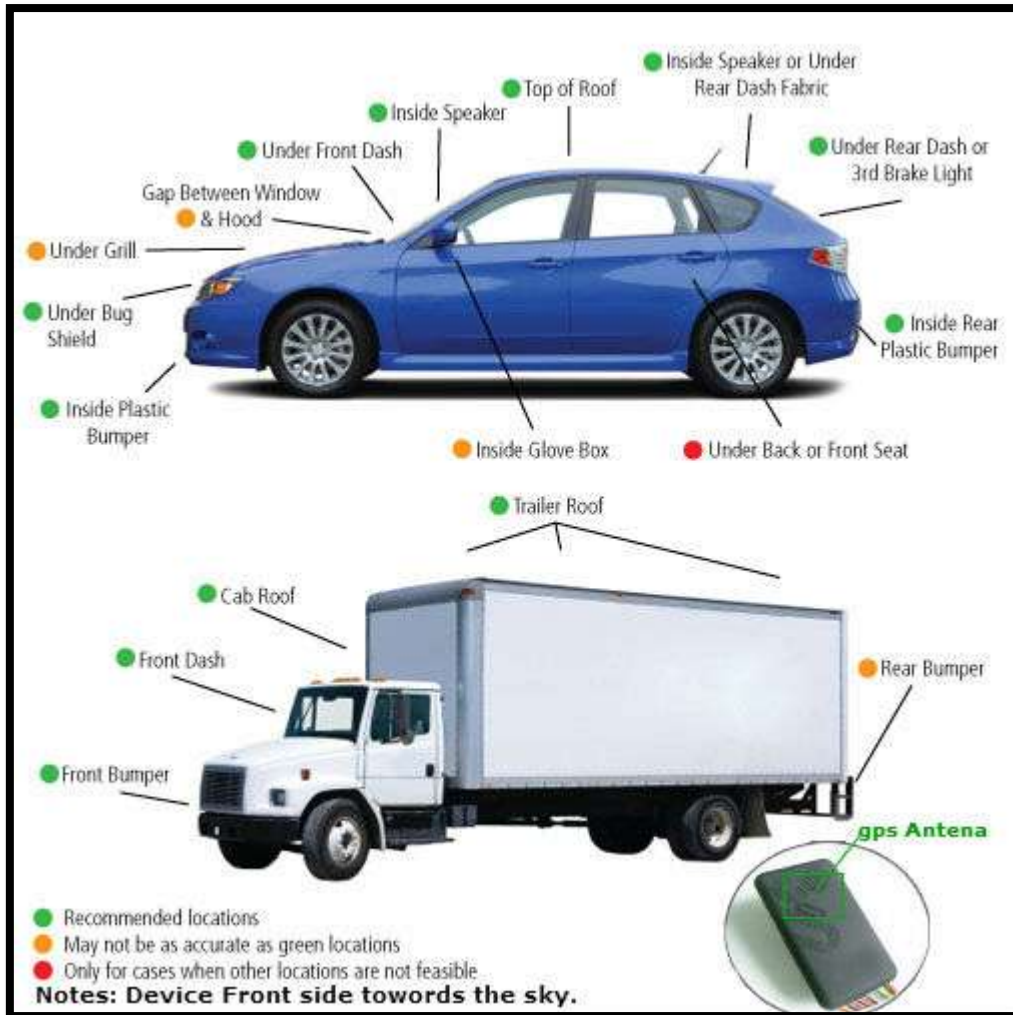
FUNCTION	SILVER/BRONZE	GOLD	STREAMING
add administrator1	710#servicemobno#	Admin 123456 servicemobno	N/A
delete administrator1	D01#	N/A	N/A
view administrator	901#	N/A	N/A
add authorized1	101#ownermobno1#	Centernum123456 mobnumber	N/A
add authorized2	102# ownermobno2#	N/A	N/A
add authorized3	103# ownermobno3#	N/A	N/A
delete authorized1	D11#	N/A	N/A
delete authorized2	D12#	N/A	N/A
delete authorized3	D13#	N/A	N/A
view authorized3	C10#	N/A	N/A
cut off oil and power	222#	stop+password	N/A
supply oil and power	333#	resume+password	N/A
set vibration alarm	123#2#3#	N/A	N/A
set vibration alarm time	V123#2#	N/A	N/A
cancel vibration alarm	456#	N/A	N/A
Over speed alarm	SSA#120#3#	speed+password+space+080	N/A
Over speed alarm time	STIME#5#	N/A	N/A
Cancel over speed alarm	CSA#	nospeed+password	N/A
set IP and port	803#ip.ip.ip#888#	adminip+password+Space+IPAd dress+Space+Port Number	SERVER,666666,1,ip,port,0#
set time intervals	730#30#	fix030s005n+password	timer,666666,,50#
set static intervals	SUP#5#	N/A	N/A
cancel intervals	NUP#	N/A	N/A
sms tracker	666#	Dial the SIM	where,666666#
set APN user Password	802#APN#	APNONE+password+Space+APN	APN>Password,APN#
set zone	801#E8#	N/A	gmt,666666,e,5,30#
set language	LANG2#	N/A	N/A
restart	930#	N/A	Reset,666666#
factory	940#	reset+password	factory,666666#
view IP and port	CIP#	N/A	ScxsZ,666666#
view version	V00#	N/A	Version,666666#
view status	902#	check+password	Status,666666#
view param	886#	imei+password	Param,666666#
Location	988#	Dial the SIM	N/A
SD card Saving TIMINGS	N/A	save030s005n+password	N/A
Data Load In SD Cards	N/A	load+ password	N/A
Low battery alarm on	N/A	lowbattery+password+space+on	N/A
Low battery alarm off	N/A	lowbattery+password+space+off	N/A
External Power alarm on	N/A	extpower+password+space+on	N/A
External Power alarm off	N/A	extpower+password+space+off	N/A
GPS blind Spot alert on	N/A	gpssignal+password+space+on	N/A
GPS blind Spot alert off	N/A	gpssignal+password+space+off	N/A
SOS through Remote	N/A	Long Press SOS button for 3 sec.	N/A
ACC working alarm on	N/A	ACC+password	N/A
ACC working alarm off	N/A	noACC+password	N/A
Fuel alarm on	N/A	oil+password	N/A
Fuel alarm off	N/A	nooil+password	N/A
Quick off Oil and Power	N/A	quickstop+password	N/A
Quick on Oil and Power	N/A	noquickstop+password	N/A
ARM / LOCK	N/A	arm+password	N/A
Dis ARM	N/A	disarm+password	N/A
ARM / LOCK by remote	N/A	Press arm/lock button once	N/A

DISARM by remote	N/A	Press disarm button once	N/A
Air compressor lock	N/A	locktype+password+space+1	N/A
Electric lock	N/A	locktype+password+space+0	N/A
TCP switch	N/A	gprs+password,0,0	N/A
UDP switch	N/A	gprs+password,1,1	N/A
GPRS Mode	N/A	GPRS+password	Gprsset,666666#
SMS Mode	N/A	SMS+password	

Error Code for Streaming Smart GPS :

Error Code	Description
100	Extend ruled length
101	Data extended
102	Wrong command format
103	Wrong password Format
104	SOS no. exceeds the range that system can support
105	SOS no. is null
106	The serial no. of deleted , SOS no is wrong
107	The command is not existed
108	No terminal bit, please end with #
109	Wrong password

Installation Area:



GPS Configuration By USB :

Download the Serial debugging tool (SSCOM.EXE) to computer, connect the tracker with computer and open serial debugging tool with the USB cable (optional parts),

- then choose 20
- correct COM port,
- baud rate is 19200,

send serial port command (Tick "send new " on SSCOM interface): \$SET GT PARA,

tracker will return the sample format of the command, send appropriate commands according to the sample format of command. Tracker will return "ok" after succeeding in configuring to indicate successful configuration.

Trouble shooting

- The device is not online or offline on the web platform
First, please check the three LED working state. If possible. You can call the device's number to check. If not connected, the device is out of signal. If the GSM signals cannot reach your location, please drive to the open sky. If reminding the device SIM card is out of deposit, please make deposit by the telecom operator.
- If you can connect to the device when calling, the SIM card has deposited and please check with your operator for GPRS function. You also can check by searching the internet on your mobile phone.
- If reminding the device is power off, please turn back the device and proceed as followings:
a) Check if the red LED is in constant glow. If the LED is dark, please check the power connecting. If fuse is broken, please change the fuse..
b) If the blue GSM LED is not in constant glow, please check the installation of SIM card.
- Please check the offline area in order to judge if the network problem of operators.
- When GPS cannot receive the signals, please drive in the open sky and ensure there is no metal thins on the device.
- When the device cannot receive the GSM signal, please check the SIM card installation. If the GSM signals cannot reach your location (such as the basement), please drive to the open sky.
- The red LED is not glow when power on. Check the fuse of the power line. If the fuse is fused, please change It.
- Faults & the Solutions
Faults Solution
- Startup Fail - Please check out the power wiring in correct place.
- Call Fail - Check the GSM antenna connected. Check whether the SIM card in place. Check whether the normal power supply voltage.
- Hang up Fail -In existence of an authorized number, an unauthorized number dials up the unit. Please initialize the unit and re-set up the authorized numbers.
- Monitor Fail -Check if the authorized number is setup
- Location report in digits of zeros. - Check out if the GPS external antenna well

1. SMART SPOTER GPS SUPPORT NEW GENERATION STREAMING TECHNOLOGY



It is a Mini intelligent GPS Vehicle positioning terminal. It combines the GSM wireless communication technology and GPS positioning system technology, terminals using industrial-grade highly integrated design, intelligent power-saving and passive drift suppression, installation is simple, connect the power supply to start work immediately, wide input voltage

range, wide applicable to all types of cars, motor cycles, electric cars, ships, etc., can provide all-weather, real-time vehicle positioning function, with global positioning service platform, you can achieve remote vehicle management.

What is Streaming technology?

Streaming or media streaming is a technique for transferring data so that it can be processed as a steady and continuous stream. Streaming technologies are becoming increasingly important with the growth of the Internet because most users do not have fast enough access to download large multimedia files quickly. With streaming, the client browser or plug-in can start displaying the data before the entire file has been transmitted.

For streaming to work, the client side receiving the data must be able to collect the data and send it as a steady stream to the application that is processing the data and converting it to sound or pictures. This means that if the streaming client receives the data more quickly than required, it needs to save the excess data in a buffer. If the data doesn't come quickly enough, however, the presentation of the data will not be smooth.

Benefits of streaming technology:

1. Greater network bandwidth, especially in the last mile.
2. Increased access to networks, especially the Internet.
3. Use of standard protocols and formats, such as TCP/IP, HTTP, HTML.
4. Commercialization of the Internet.

Features:

- 1) High sensitivity GPS chipset.
- 2) Built –in switching power supply, wide voltage input: 9V to 24V.
- 3) Optional SMS functionality supported.
- 4) Built in monitoring CPU, automatic fault recovery.
- 5) Support GSM 900/1800MHz cellular network as data carrier.
- 6) Built in GSM and GSM Antenna.
- 7) Inbuilt motion sensor for power saving.
- 8) SOS panic button.
- 9) Geo- fencing control.
- 10) Low battery alarm.
- 11) Over speed alarm.
- 12) Portable, easy to install.
- 13) Can use as personal tracker, pet tracker, asset tracker, Child tracker.
- 14) Real Time System View (Track a wide range of vehicles at a time).
- 15) On board data storage (The tracking information of previous month of your vehicle stored automatically.)
- 16) Advanced Reverse Geo-coding based on accurate Google map data (accurate street names for stops)
- 17) Flexible Reporting Platform (Time on customer site, over idle, service/odometer, stop with distance travelled, geofence reports, etc.)
- 18) Mobile interface (View vehicle locations from a mobile device)
- 19) Anti-theft protection.
- 20) One year limited warrantee.

SI No.	Without Streaming Server Setup	With Streaming Server Setup
1	Status refresh time 15-60 Sec.	Status refresh time 3-9 Sec.
2	Some flexibility on reporting platform.	More flexibility on reporting platform.
3	Remote Monitoring for fault Recovery.	Automatic Fault Recovery Available.
4.	Standard CPU and hardware parts.	Advance Core-CPU & High config. Parts in hardware.
5.	Renewal Charges Rs. 3000/- to Rs.3600/-	Renewal Charges Rs. 6600/-
6.	Single Server Communication.	Core-Servers Communication.

Product Comparison with Others Company

SI No	Terms	ABC Co.	XYZ Co.	Spoter
1	Tracking Map	Tracking on normal open street Map	Tracking on highly detailed maps on India's Digital Map	Tracking on highly detailed maps on Google , Open street, Baidu's Map
2	Track your vehicle using your Smartphone	Track your vehicle using your Smartphone without Latest - Smart Apps	Track your vehicle using your Smartphone with Latest -Smart Apps	Track your vehicle using your Smartphone with Latest -Smart Apps
3	Waterproof Device	Waterproof Device	Waterproof Device	Waterproof Device
4	Body of Device	Normal plastics	soft fiber	soft fiber with gloss lamination
5	Internal Antennae	Normal Internal Antennae	Internal Antennae in build with basic technology	Electro-magnetic Internal Antennae, have 3 IC for control it, 1for satellite signal, 1 for GSM signal, 1 for GSM LOCATE Optional where Satellite signal not available.
6	Types of Tracking Satellites	china Regional Navigation Satellite System	Indian Regional Navigation Satellite System	27pcs USA based and international Satellites , The signal change over automatically satellite to satellite depend on place
7	Playback	7 days playback History	7 days playback History	30 – 90 days playback History
8	reports	1month	1month	3month
9	Streaming technology	Not supported	Not supported	Supported
10	GSM Technology	Provide Airtel SIM	Provide Airtel SIM	Support Any SIM and convert in to panel
11	Special Online Service Station-Panel Access	Not available	Not available	available in distributor level
12	Data Upload interval	30 sec. – 180 Sec.	30 sec. – 180 Sec.	10 Sec. with Streaming technology, 15 Sec. to 30 sec. without Streaming technology
13	Uploaded Data Session	30 sec. – 180 Sec. interval data	30 sec. – 180 Sec.interval data	1-3 Sec interval data on Streaming technology, 15-30 Sec interval data on with out Streaming technology,
14	SMS function	Manual, limit 100 SMS/Month	Manual, limit 100 SMS/Month	Manual, limit 100 SMS/Month
15	Auto Email	manual	Automatic	Manual currently, Work in process to upgrade automatically available shortly
16	Geo Fracs	Supported	Supported	Supported
17	Real time tracking	Supported	Supported	Supported
18	Server	Own 1 GPS Tracking Server	Own 1 GPS Tracking Server	Currently 5 GPS Tracking Server, 2 Own GPS Tracking Server, tie-ups

				with 3 Server, Work in process to launch a super server, available shortly
19	History Downloadable in Google earth / KML Format	Non-Supported	Supported	Supported
20	SMS Based Tracking	Supported	Supported	Supported
21	Data Volume	40 MB	40MB	Near About 1GB with Streaming Technology
22	2G/3G GSM SIM	Supported	Supported	Supported
23	Alert	MAX 12 types of Alert	MAX 15 types of Alert	MAX 26 types of Alert
24	Reports	MAX 6 types of Alert	MAX 15 types of Alert	MAX 26 types of Alert
25	Antitheft	Supported	Supported	Supported
26	2 way voice communication	Supported	Non-Supported in basic model	Supported in various model.
27	Over speed Alert	Supported	Supported	Supported
28	Internal Battery Backup	Not available in basic model	available	Not available in basic model, available shortly
29	Destination facing	Supported	Supported	Supported
30	Distributor Network	Available in cities	Online only	In Progress to build up distributor network in every district in India
31	Operative area	All India	All India	All India
32	Price in Kolkata	8400/*-+	9999/*- without Installation	9999/*- with Installation
33	up gradation sms and data packs	Not available	Not available	Supported
34	Advance Features	Available Some Cases	Available Some Cases	Wide Ranges of Advance Features Available .
35	National e-marketing Advertising Campaign	Not available	Supported	Now campaign running for sourcing distributor network, customer sourcing campaign will be started shortly
36.	Distributor Website	Not available	Not available	Available
37.	warrantee	1yr. repairable	1yr. repairable	1yr. replacement
38.	Production center	china	India	Currently Hardwar import from China, Assembled and packaged in India, Very soon Our production Center will start in INDIA.
39	International Tie-Up	China + India	India, Own R&D and Production Center	India+China+USA+Srilanka Way to setup Own International Class R&D and production Center completed within Dec'15
40	Server	VPS	VPS	VPS, Way to setup Own Data Center in INDIA completed within Dec'16

41	Data Acquisitioned	N/A	Smart Data Acquisitioned	Smart Data Acquisition without Streaming Technology, New Exclusive Streaming Technology supported device available.
43.	Installation Service	Available with installation Charge	Non- Available	Available, installation Charge include in price.
44.	Support /Service Center	Available from Head Quarter	Available from Head Quarter	Available from Head Quarter and online based will available at all distributor point.
45	Mark 'Areas' and color coded 'Places'	Available some cases	available	Available as on google map mark-up
46	Weather forecast	Non-available	Non-available	Available
47	Traffic Update	Non-available	Non-available	As google network
48.	RFID Remote	Non-available	Non-available	Available with Spoter gold Product.
49.	Shock Sensor	Non-available	Non-available	Available with Spoter gold Product.
50.	Support Chanel	Company Helpdesk	Company Helpdesk	Multi Channel Support Available.

2. SPOTER EMPLOYEE TRACKING SYSTEM



MRP. Rs. 2000/- Per Employee Per Year.*

Spoter [Android Mobile based tracking System] is a comprehensive, Employee monitoring, control and management. It's an effective low cost operation for fleet and HR operators, corporate organizations and agencies, Government. The essence of telemetry and use of location based services (LBS) is to enhance security, efficiency and reduce OPERATION AND MANAGEMENT cost.

In addition, it also enhances effective monitoring and control of personnel. We, Spoter is an advanced Monitoring System with management capabilities that offers much more features than a standard GPS Tracking system at comparable, or in most cases lower cost. The system is backed by technicians and engineers with the ability to customize expand and successfully deploy it to virtually any application.

Benefits:

- Real time Location and movement tracking
- More efficient routing and work allocation. Safety first and Better Workflow.
- Employee tracking turns off when the employee clocks out.
- Reduce operating cost.

Installation and configuration:

Please check Mclient configuration and track in Mobile on Website.

- **Mclient configuration -**
http://spoter.in/index.php/products/item/download/18_af38f2a2a8f98c54317c368e8be20ba7
- **Track on Mobile -**
http://spoter.in/index.php/products/item/download/19_aa31430b3570535f90204354e18703dd

3. SPOTER Tyre Guard

Spoter Tyre Guard for Tube Type and Tubeless Tyre Seals puncture quickly and automatically, Lowers tyre temperature and extends tyre life. It is a solution to fix a flat tire until it is possible to get it repaired or replaced.

Spoter Tyre Guard is suitable for all vehicles – Bikes, Cars, Buses, Trucks, Commercial, Heavy and OTR Vehicles. The ingredients in Spoter Tyre Guard are non-hazardous, Environment friendly and biodegradable. The product is fully water soluble and may be washed away with water. We use a technology which is not matched by any other tyre sealant available anywhere and can prevent punctures in tyre treads of up to ¼” [6mm] in 95% of tubeless tyres and up to 75% in tube tyres. It is formulated for any vehicle with all types of Tyres, tube or tubeless, high or low air pressure and used in Highway speed vehicles or slow off road equipment Tyres, two wheelers, four wheelers, Bus, Truck, Dumper, Trailer , heavy equipments etc.

The product is installed into the wheel via the valve before the puncture occurs. As the wheel rotates the product is distributed in a forward motion, this applies a protective coating on the inner lining of the tread area of the tyre. When a foreign object penetrates the tyre the air pressure from within instantly forces the sealant into the puncture wound creating a temporary self-sealing tyre. By sealing the puncture instantly offers the driver extended mobility and allows the vehicle to continue their journey this helps to reduce the risks involved in roadside wheel changes. Our products range helps to eliminate costly vehicle and equipment downtime due to punctures and blowouts and has been proven to reduce overall tyre expenditure. It works in any weather condition and temperature. To seal the puncture car / bike/ vehicle must be drive immediately to seal the puncture. In tube type tyre if the tyre is flat, just remove the nail and refill the air again and drive immediately to seal the puncture.

Benefits:

• <i>Seals puncture immediately.</i>	• <i>Lesser need to replace tyres.</i>	• <i>Saving of money and time.</i>
• <i>Safer and trouble-free drives.</i>	• <i>Reduced downtime costs</i>	• <i>Prevention of accidents</i>
• <i>Protection against high speed blowouts and punctures.</i>	• <i>Maximum extension of your vehicle tyre life.</i>	• <i>Increased fuel efficiency</i>
• <i>Tyres that are in perfect running condition. Increased customer satisfaction</i>	• <i>Does not affect manufacturers or extended warranties on tyres.</i>	• <i>No irreparable damage to tyre caused by bearing vehicle weight even after puncture.</i>

Usage Policy :

1. Motor Cycle	350ML Per Tyre.
2. Small Vehicles like Indica, i10, Verna, Swift etc.	500ML Per Tyre.
3. SUV / XUV Vehicles like Tata Sumo, Bolero, Scorpio, Inova etc	600ML Per Tyre.
4. Mini Bus / TATA 407 / TATA207 / Pickup VAN types vehicles	2Ltr. Per Tyre.
5. Standard Bus, truck etc.	3Ltr. Per Tyre.

Pricing :

DESCRIPTION	PRICING Per Pcs.
1. Spoter Tyre Guard 1Liter	MRP Rs.1250/-
2. Spoter Tyre Guard 350ML	MRP Rs. 400/-
3. Spoter Tyre Guard 600ML	MRP Rs.750/-

Installation :

You can use 50ml disposal syringe or hand grease tools or automatic Pump for installation.

